



RIPA R30 CAMERA

Version:Version:1.1

Data Sheet

Ripa Technologies Pty Ltd

CONTENTS

| | |
|--------------------------------|---|
| Product Summary | 2 |
| Feature Highlights..... | 2 |
| Technical Specifications | 3 |
| product Demension | 6 |
| Product Image library | 7 |
| Ordering Guide | 7 |

PRODUCT SUMMARY

R30 camera The camera has advanced ISP processing algorithms to provide vivid images with a strong sense of depth, high resolution, and fantastic color rendition. It has built-in H.265/H.264 encoding to ensure smooth video performance in constrained bandwidth conditions.



Figure 1 R30 Camera

FEATURE HIGHLIGHTS

- **Superb High-definition Image:** It employs 1/2.8 inch high quality CMOS sensor. Resolution is up to 1920x1080 with frame rate at 60 fps.
- **Optical Zoom Lens:** It has 12X/20X optical zoom lens for options.
- **Leading Auto-focus Technology:** Boasting leading auto-focus algorithm, this camera can achieve auto focus with speed, accuracy, and stability.
- **Low Noise and High SNR:** Low Noise CMOS effectively ensure high SNR of video. Advanced 2D/3D noise reduction technology is used to further reduce the noise while ensuring image resolution
- **Multi-Format Video Outputs:** It support HDMI, USB2.0, USB3.0, LAN.
- **Multiple Audio Compression Format: It supports** H.265/H.264 in video compression and AAC, MP3, G.711A in audio compression. The resolution can reach up to 1920*1080 at 60 fps.
- **Audio Input:** It supports for AAC, MP3, G.711A audio encoding. AAC, MP3 encoding supports 16000, 32000, 44100, 48000 sampling frequency, and G.711A encoding only support 8000 sampling frequency.
- **Multiple Network Protocols:** It supports for ONVIF, GB/T28181, RTSP, RTMP protocols, RTMP push mode, easy to link with streaming media server(Wowza, FMS)
- **Multiple Control Jack:** RS232; RS232, supporting for cascading, convenient to set up.
- **Support Multiple Control Protocol:** Support VISCA, PELCO-D, PELCO-P protocols, which can also be automatically recognized.
- **Low-power Sleep Mode:** Power consumption is less than 400mW in sleep mode.
- **Multiple Presets:** User can set 255 presets (remote control can call out 10)
- **Multiple Remote Controls:** There are IR remoter and other wireless remote for options.
- **Wide Application:** Tele-education, Lecture capture, Webcasting, Videoconferencing, Tele-training, Tele-medicine, Interrogation and Emergency command systems.



TECHNICAL SPECIFICATIONS

| Model | R30-12 | R30-20 |
|----------------------|---|-------------------------|
| Parameters | | |
| Image Sensor | 1/2.8 inch high quality HD CMOS sensor | |
| Effective Pixel | 2.07M, 16: 9 | |
| Video Format | HDMI: 1080P60/50/30/25/59.94/29.97, 1080i60/50/59.94, 720P60/50/59.94/ U3: 1)U3: 1920X1080P60/50/30/25, 1280X720P60/50/30/25, 960X540P30, 640X360P30, 640X480P30, 352X288P30, 800*600P30 2)U3 compatible with U2: 960X540P30, 640X360P30, 1280X720P10/15,720X576P50, 720X480P60, 640X480P30, 352X288P30, 800*600P30. U2:320x240/352x288/640x480/704x576/720x480/720x576/640x360/800x448/800x600/960x540/1024x576/1024x768/1280x720/1920x1080P30/25/20/15/10/5 | |
| Optical Lens | 12X f=4.1 ~ 49.2mm | 20X f = 5.05 ~ 101mm |
| Viewing Angle | 6.57° (N) 70.28° (W) | 3.45° (N) 60.04° (W) |
| Iris | F1.8 – F2.68 | F1.8 – F2.9 |
| Digital Zoom | 10X | |
| Minimum Illumination | 0.5Lux(F1.8, AGC ON) | |
| DNR | 2D & 3D | |



RIPA R30 Camera

| | |
|-----------------------------|--|
| White Balance | Auto/Manual/One-push/3000K/3500K/4000K/4500K/5000K/5500K/6000K/6500K/7000K |
| Focus | Auto/Manual/One-push |
| Iris | Auto/Manual |
| Electronic Shutter | Auto/Manual |
| BLC(Backlight Compensation) | On/Off |
| Dynamic Range | Off/ Dynamic level adjustment |
| Video Adjustment | Brightness, Contrast, Sharpness, Horizontal Flip, Vertical Flip, Black and White Mode, Gamma Curve, Electronic Zoom, DCI, Ultra Low Light Mode |
| SNR | >55dB |
| Interface | |
| Interface | HDMI, LAN, RS232, A-IN, U2, U3 |
| Video output | HDMI, USB3.0, LAN, USB2.0 |
| Image Streaming | Dual streaming output |
| Video compression formats | H.265, H.264 USB 2.0: MJPG、H264、H.265、YUY2、NV12 |
| Audio IN Jack | A-IN: Dual audio channel 3.5mm linear input |
| Audio compression format | AAC, MP3, G.711A |
| Network Jack | 100M (10/100BASE-TX) |
| Network Protocols | RTSP, RTMP, ONVIF, GB/T28181; Support network VISCA control protocols, remote upgrade, remote restart, and remote reset. |
| Control Jacks | RS232 (loop in/out) |
| Control Protocols | Protocols: VISCA/Pelco-D/Pelco-P; Baud Rate: 115200/38400/9600/4800/2400 |



RIPA R30 Camera

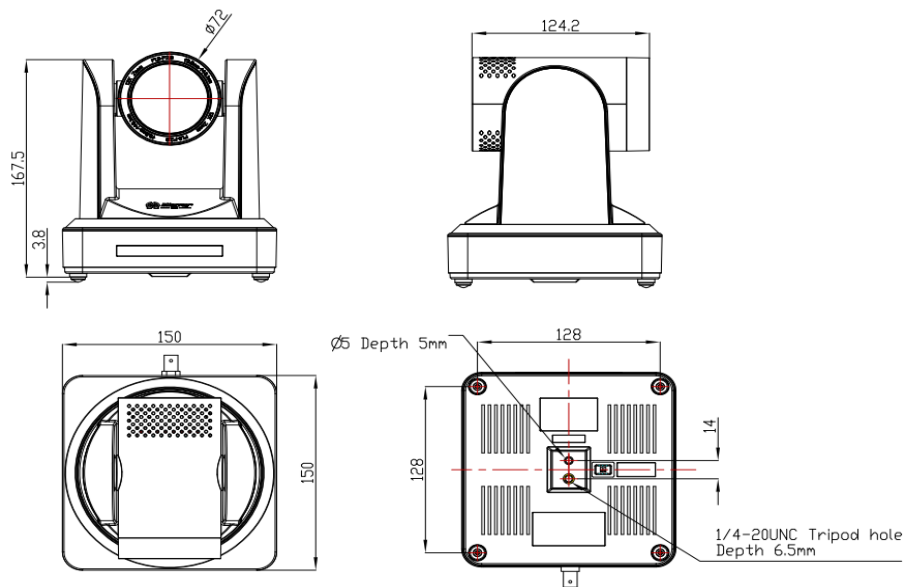
| | |
|---------------------|---|
| Power Jack | HEC3800 power socket(DC12V) |
| Power Adapter | Input: AC110V-AC220V Output: DC12V/1.5A |
| Input Voltage | DC12V±10% |
| Input Currency | 1A (Max) |
| Power Consumption | 12W(Max) |
| PTZ | |
| Pan | -170° ~ +170° |
| Tilt | -30° ~ +90° |
| Pan Speed | 0.1 ~ 60°/s |
| Tilt Speed | 0.1 ~ 30°/s |
| Preset Speed | Pan: 60°/s, Tilt: 30°/s |
| Preset Quantity | User can set 255 presets (10 via IR remote control) |
| Others | |
| Storage Temperature | -10°C ~ +60°C |
| Storage Humidity | 20% ~ 95% |
| Working Temperature | -10°C ~ +50°C |
| Working Humidity | 20% ~ 80% |
| Dimension | 150mmX150mmX167.5mm |
| Weight | 1.4kg |
| Environment | Indoors |
| Others | |



RIPA R30 Camera

| | |
|----------------------|--|
| Storage Temperature | -10°C ~ +60°C |
| Storage Humidity | 20% ~ 95% |
| Working Temperature | -10°C ~ +50°C |
| Working Humidity | 20% ~ 80% |
| Dimension | 150mmX150mmX167.5mm |
| Weight | 1.4kg |
| Environment | Indoors |
| Accessory | |
| Supplied Accessories | 12V/1.5A power supply, RS232 cable, IR remote control, user manual |
| Optional Accessories | Mounting Brackets |

PRODUCT DEMENSION





RIPA R30 Camera

PRODUCT IMAGE LIBRARY



ORDERING GUIDE

Product part code is RP-R30-12, RP-R30-20